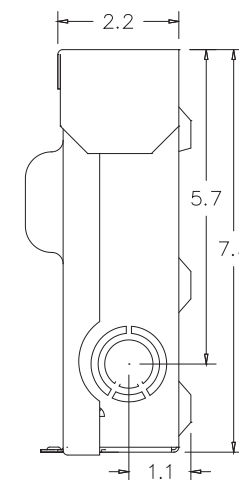
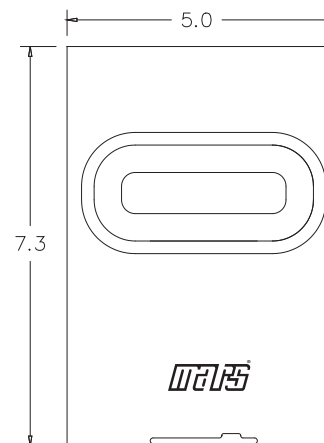
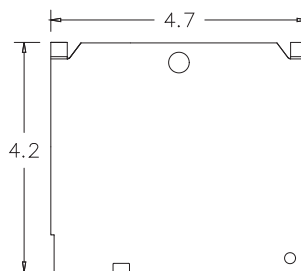
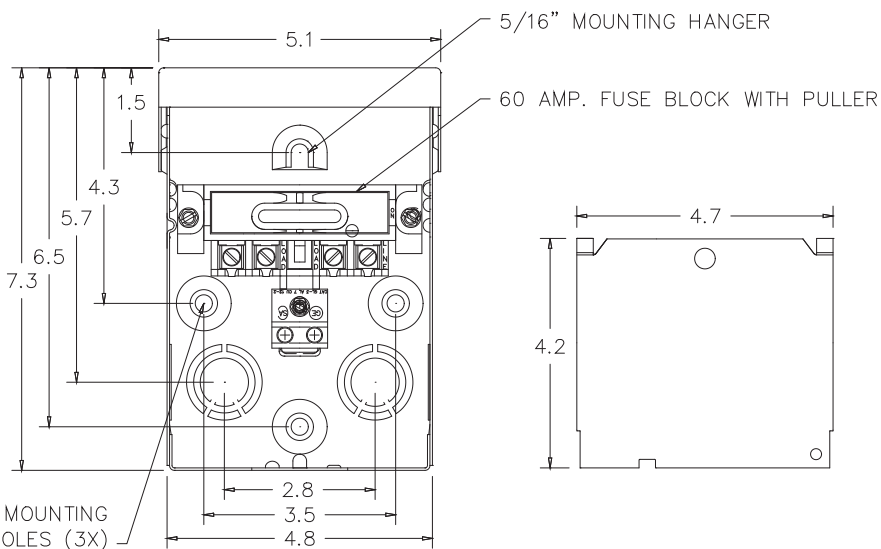
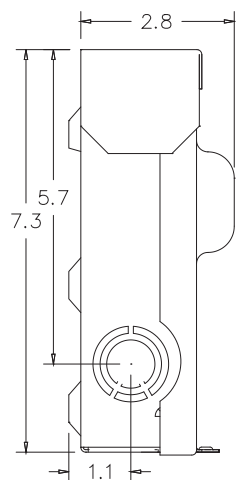
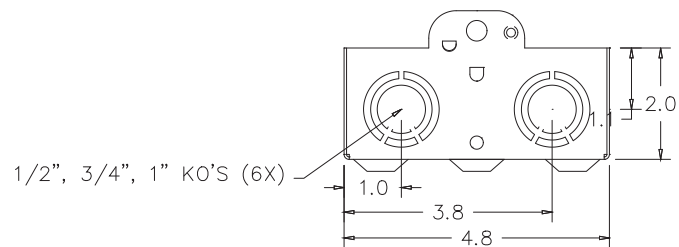


WIRE RANGE TABLE D:

CONNECTOR	COPPER		ALUMINUM	
	SOLID	STRAND	SOLID	STRAND
LINE	14-8	14-2	12-8	12-2
LOAD	14-8	14-2	12-8	12-2
NEUTRAL	-----	-----	-----	-----
EQUIP. GRND.	12-8	12-2	12-8	12-2



5/16" MOUNTING HOLES (3X)



SH1

Rev.1 CR R0746662 JDE 1-11-08

	* = Critical To Quality		AutoCad Generated		TITLE: OUTLINE DRAWING
	Unless Otherwise Specified				
Dr. By: JDE	Tolerances On: 3 Pl. Decimals ± .010 2 Pl. Decimals ± .030 Fractions ± 1/32 Angles ± 1/2° Holes ± .003		1 : 1	A	DWG NO: 83335
Ck. By:	Dimensions Are In Inches		SHEET 1	OF 1	
CR: R0746662					