

TPRG-R

SPECIFICATIONS

Refrigerant System

- Environmentally friendly R410A refrigerant
- Copper tubing with enhanced fin coils
- Internal service gauge ports
- Sleeved distributor tubes
- Antimicrobial insulated drain pan
- High and Low Threaded pressure switches for system protection

Cabinet Construction

- Heavy-gauge galvanized steel base rails with rigging holes
- Rounded corners for safety and an attractive, clean appearance
- One piece base design for strength and stability
- Condensate and coil runoff drains to the perimeter of the unit
- Horizontal and downflow duct openings are flanged to minimize water entry
- Low profile, with compact footprint
- Insulation to minimize heat loss plus reduce sound
- Textured pre-painted steel cabinet finish
- Superior service access to components
- Louvered coil guard protection
- One piece “no leak” top design

Blower

- Insulated compartment to reduce sound
- Efficient constant torque motor for wide airflow range
- Slide out blower housing for easy service

Controls

- Integrated control with L.E.D. self diagnostics
- Defrost control board with field selectable time intervals
- Built in short cycle protection to protect compressor
- Built in “quiet shift” operation during defrost on select models

Installation

- Horizontal or down discharge capable
- Horizontal and downflow duct covers provided with unit for installation flexibility
- Drain pan float switch monitors condensate level in drain pan and shuts down unit if drain becomes clogged
- Utility connections on “right side”
- Kits enable bottom gas and power entry through base pan
- Seismic Certification (with Seismic Strapping Kit applied): Latest Edition of International Building Code, California Building Code, and ASCE 7-16

Accessories

- Clip roof curbs and adjustable pitch roof curbs available
- Internal filter kits
- Electric strip heat with optional single point power entry (side entry only)
- Duct adapters
- Closure kit for base rail openings

HEAT PUMP PACKAGED UNIT

14 SEER



Century

Warranty

Standard warranty or Extended warranty available with product registration.
See warranty document for details or visit www.century-hvac.com

MODEL NUMBER GUIDE

T	P	R	G	24	00	1	R
Package Unit	P=Heat Pump	Residential	'Green' Gas R-410A	Nominal Cooling Capacity BTUH x 1000	Heating BTUH No factory installed electric heat	Power 208/230-1-60	Series/Revision

ELECTRICAL AND PHYSICAL DATA

Model	Voltage	Phase	Hz	Min Volts @ 60 Hz	MCA	Max Fuse/HACR Breaker	Compressor		Condenser Motor		Blower Motor		Refrig. Charge (oz.)	Weight (lbs.)
							RLA	LRA	RLA	HP	RLA	HP		
TPRG24001R	208-230	1	60	197	17.4	25	10.9	59.3	1.0	1/6	2.8	1/3	86	369
TPRG30001R					22.7	35	14.1	67.9			4.1	1/2	91	379
TPRG36001R					26.0	35	14.7	75	3.6	1/2	4.1		91	388
TPRG42001R					28.0	40	16.2	113.0	1.7	1/4	6	3/4	167	460
TPRG48001R					35.1	50	21.9	110.0					173	464
TPRG60001R					43.6	60	27.0	150.0	3.6	1/2	6.3	1.0	174	503

PERFORMANCE

MODEL	COOLING				HEATING				Sound dBA	
	Rated AHRI Capacity Btuh (SEER/SEER2)	Efficiency		Rated Sensible Capacity Btuh (SEER/SEER2)	47 DEG.		HSPF/HSPF2	17 DEG.		
		SEER/EER	SEER2/EER2		BTUH (HSPF/HSPF2)	COP (HSPF/HSPF2)		BTUH (HSPF/HSPF2)		COP (HSPF/HSPF2)
TPRG24001R	22,600/23,000	14.0/11.0	13.4/10.6	16,700/18,100	22,000/21,600	3.8/3.4	8.0/6.7	12,300/11,900	2.3/1.9	78
TPRG30001R	28,600/28,600			21,700/22,500	27,000/25,800	3.7/3.7		15,900/15,000	2.3/2.2	
TPRG36001R	34,000/34,000			25,200/26,800	32,400/32,600	3.7/3.7		20,000/18,300	2.3/2.1	
TPRG42001R	40,000/39,500			30,800/30,800	39,000/40,000	3.7/3.6		23,600/22,500	2.3/2.1	
TPRG48001R	46,000/45,500			34,000/35,400	45,000/47,000	3.7/3.5		27,000/28,200	2.3/2.3	
TPRG60001R	57,000/56,000			41,600/42,500	56,000/58,000	3.7/3.3		33,600/33,300	2.3/2.0	78

*Certified in accordance with Unitary Air Conditioner Certification Program, which is based on AHRI Standard 210/240



BLOWER PERFORMANCE

Model	Blower Tap	CFM @ ext. Static Pressure in in. wc without filter, dry coil									
		0.1	0.2	0.3	0.4	0.5	0.6	0.7	0.8	0.9	1.0
TPRG24	TAP 1	680	590	550	450	380	N/A	N/A	N/A	N/A	N/A
	TAP 2	890	830	800	760	710	680	640	600	N/A	N/A
	TAP 3	1000	965	930	900	870	835	805	770	740	695
TPRG30	TAP 1	680	640	600	570	530	490	N/A	N/A	N/A	N/A
	TAP 2	1100	1070	1050	1020	990	960	930	900	N/A	N/A
	TAP 3	1180	1160	1130	1110	1070	1040	1005	970	935	875
TPRG36	TAP 1	860	810	760	710	640	590	550	490	N/A	N/A
	TAP 2	1300	1265	1235	1200	1165	1125	1085	1040	1000	885
	TAP 3	1450	1425	1395	1350	1320	1285	1320	1235	1135	860
TPRG42	TAP 1	800	720	640	550	475	390	310	0	0	0
	TAP 2	1470	1410	1360	1300	1260	1210	1155	1095	1000	940
	TAP 3	1580	1540	1505	1460	1415	1370	1320	1235	1135	1060
TPRG48	TAP 1	1145	1075	1000	930	850	790	740	670	570	490
	TAP 2	1675	1630	1600	1540	1490	1440	1390	1300	1230	1125
	TAP 3	1840	1800	1760	1720	1690	1615	1555	1500	N/A	N/A
TPRG60	TAP 1	1400	1320	1260	1200	1120	1060	980	900	N/A	N/A
	TAP 2	1920	1870	1820	1770	1720	1670	1450	1360	N/A	N/A
	TAP 3	1970	1915	1865	1820	1770	1725	1685	1640	1595	1540

COOLING PERFORMANCE - EXTENDED RATINGS

Outdoor Model	Indoor Temp DB/ WB °F	Outdoor Temperature - DB °F														
		65°			82°			95°			105°			115°		
		Btuh	S/T	kW	Btuh	S/T	kW	Btuh	S/T	kW	Btuh	S/T	kW	Btuh	S/T	kW
TPRG24	85 / 72	28,600	0.67	1.35	26,700	0.69	1.62	25,300	0.73	1.87	23,900	0.75	2.09	22,400	0.78	2.35
	80 / 67	26,400	0.73	1.36	24,700	0.76	1.63	22,600	0.79	1.87	22,000	0.82	2.10	20,600	0.85	2.36
	75 / 63	24,600	0.76	1.36	23,000	0.78	1.63	21,700	0.82	1.88	20,500	0.84	2.10	19,100	0.87	2.26
	75 / 57	23,000	1	1.37	21,600	1	1.64	20,600	1	1.88	19,600	1	2.11	18,500	1.00	2.37
TPRG30	85 / 72	35,700	0.68	1.79	33,400	0.70	2.10	31,400	0.73	2.39	29,600	0.75	2.65	27,700	0.78	2.96
	80 / 67	32,900	0.74	1.78	30,800	0.76	2.10	28,600	0.80	2.38	27,200	0.82	2.64	25,400	0.85	2.95
	75 / 63	30,800	0.76	1.78	28,700	0.79	2.09	26,900	0.82	2.38	25,400	0.84	2.64	23,700	0.87	2.95
	75 / 57	28,600	1	1.77	26,900	1	2.09	25,400	1	2.37	24,200	1	2.64	22,800	1	2.94
TPRG36	85 / 72	44,200	0.67	2.21	40,700	0.70	2.62	37,900	0.72	2.97	35,600	0.74	3.29	33,000	0.77	3.66
	80 / 67	40,600	0.73	2.16	37,300	0.76	2.58	34,000	0.79	2.92	32,500	0.82	3.24	30,100	0.85	3.61
	75 / 63	37,700	0.76	2.13	34,700	0.78	2.55	32,200	0.81	2.89	30,200	0.84	3.21	27,900	0.87	3.58
	75 / 57	34,700	1	2.11	32,300	1	2.52	30,400	1	2.87	28,700	1	3.19	26,900	1	3.57
TPRG42	85 / 72	48,800	0.67	2.25	46,600	0.69	2.89	43,800	0.72	3.27	41,100	0.74	3.59	38,200	0.77	4.94
	80 / 67	44,600	0.73	2.25	42,800	0.75	2.90	40,000	0.79	3.29	37,700	0.81	3.62	35,000	0.84	4.99
	75 / 63	41,400	0.76	2.25	39,800	0.77	2.90	37,400	0.81	3.30	35,100	0.83	3.63	32,600	0.87	4.01
	75 / 57	38,300	1	2.24	37,100	1	2.90	35,100	1	3.30	33,300	1	3.63	31,300	1	4.02
TPRG48	85 / 72	56,500	0.67	2.81	52,800	0.69	3.31	50,000	0.72	3.79	47,200	0.74	4.22	44,100	0.77	4.68
	80 / 67	52,100	0.73	2.82	48,600	0.75	3.30	46,000	0.79	3.78	43,500	0.81	4.19	40,500	0.84	4.67
	75 / 63	48,600	0.75	2.82	45,400	0.78	3.30	42,900	0.81	3.76	40,500	0.83	4.19	37,800	0.86	4.66
	75 / 57	45,100	1	2.82	42,400	1	3.30	40,400	1	3.76	38,500	1	4.18	36,300	1	4.66
TPRG60	85 / 72	69,200	0.65	3.49	64,500	0.68	4.10	60,400	0.70	4.67	57,100	0.71	5.20	53,300	0.74	5.79
	80 / 67	63,900	0.71	3.48	59,600	0.74	4.08	57,000	0.76	4.66	52,600	0.78	5.17	49,100	0.81	5.76
	75 / 63	59,900	0.74	3.47	55,600	0.76	4.06	52,100	0.78	4.63	49,200	0.80	5.15	45,800	0.83	5.74
	75 / 57	54,800	.99	3.46	51,400	1	4.05	48,600	1	4.61	46,100	1	5.13	43,500	1	5.72

Note: Values based on 0.50" w.c. external static pressure

COOLING PERFORMANCE - EXTENDED RATINGS

Outdoor Model	Indoor Temp DB/WB °F	Outdoor Temperature - DB °F														
		65°			82° / 67°			95° / 75°			105° / 85°			115° / 95°		
		Btuh	S/T	kW	Btuh	S/T	kW	Btuh	S/T	kW	Btuh	S/T	kW	Btuh	S/T	kW
TARG24	85 / 72	28,400	0.67	1.42	26,500	0.69	1.69	25,100	0.72	1.94	23,700	0.75	2.16	22,200	0.77	2.42
	80 / 67	26,200	0.73	1.43	24,400	0.75	1.70	23,000	0.79	1.94	21,800	0.82	2.17	20,400	0.85	2.43
	75 / 63	24,400	0.75	1.43	22,800	0.78	1.70	21,500	0.82	1.95	20,300	0.84	2.17	18,900	0.87	2.43
	75 / 57	22,700	1	1.44	21,400	1	1.71	20,400	1	1.95	19,400	1	2.17	18,300	1.00	2.44
TARG30	85 / 72	35,500	0.68	1.86	33,100	0.70	2.17	31,100	0.73	2.46	29,400	0.75	2.72	27,400	0.78	3.03
	80 / 67	32,700	0.74	1.85	30,500	0.76	2.17	28,600	0.79	2.45	27,000	0.82	2.71	25,200	0.85	3.02
	75 / 63	30,600	0.76	1.84	28,500	0.79	2.16	26,700	0.82	2.45	25,100	0.84	2.71	23,400	0.87	3.01
	75 / 57	28,400	1	1.84	26,700	1	2.16	25,200	1	2.44	24,000	1	2.70	22,600	1	3.01
TARG36	85 / 72	43,800	0.67	2.32	40,400	0.69	2.73	37,600	0.72	3.08	35,200	0.74	3.39	32,600	0.77	3.77
	80 / 67	40,200	0.73	2.27	36,900	0.76	2.69	34,000	0.79	3.03	32,200	0.81	3.35	29,800	0.85	3.72
	75 / 63	37,300	0.75	2.24	34,300	0.78	2.66	31,900	0.81	3.00	29,800	0.84	3.32	27,600	0.87	3.69
	75 / 57	34,300	1	2.22	31,900	1	2.63	30,000	1	2.98	28,400	1	3.30	26,600	1	3.68
TARG42	85 / 72	48,500	0.67	2.35	46,300	0.69	2.99	43,500	0.72	3.37	40,800	0.74	3.68	37,900	0.77	4.04
	80 / 67	44,300	0.73	2.34	42,500	0.75	3.00	39,500	0.78	3.39	37,400	0.81	3.71	34,700	0.84	4.08
	75 / 63	41,100	0.76	2.34	39,500	0.77	3.00	37,100	0.81	3.40	34,800	0.83	3.73	32,300	0.86	4.10
	75 / 57	38,000	1	2.34	36,800	1	3.00	34,800	1	3.40	33,000	1	3.73	31,000	1	4.11
TARG48	85 / 72	56,200	0.67	2.90	52,500	0.69	3.40	49,700	0.72	3.88	46,900	0.74	4.31	43,800	0.77	4.77
	80 / 67	51,800	0.73	2.91	48,300	0.75	3.40	45,500	0.78	3.87	43,200	0.81	4.28	40,200	0.84	4.76
	75 / 63	48,300	0.75	2.91	45,100	0.77	3.39	42,600	0.81	3.85	40,200	0.83	4.28	37,500	0.86	4.75
	75 / 57	44,800	1	2.91	42,100	1	3.39	40,100	1	3.85	38,200	1	4.27	36,000	1	4.75
TARG60	85 / 72	69,100	0.65	3.52	64,400	0.68	4.13	60,300	0.70	4.71	57,000	0.71	5.23	53,200	0.74	5.82
	80 / 67	63,800	0.71	3.51	59,400	0.74	4.11	56,000	0.76	4.69	52,500	0.78	5.20	49,000	0.81	5.80
	75 / 63	59,700	0.74	3.51	55,500	0.76	4.09	52,000	0.78	4.67	49,000	0.80	5.18	45,700	0.83	5.77
	75 / 57	54,700	.99	3.49	51,300	1	4.08	48,500	1	4.65	46,000	1	5.16	43,400	1	5.76

Note: Values based on 0.58" w.c. external static pressure

ACCESSORY AIR RESISTANCE DATA - IN. W.G.

Air Volume cfm	Rectangular to Round Duct Adaptor Kits					
	Downflow		Horizontal			
	14 in. Diameter		14 in. Diameter		16 in. Diameter	18 in. Diameter
	24, 30, 36	42, 48, 60	24, 30, 36	42, 48, 60	42, 48, 60	42, 48, 60
500	0.03	/	0.04	/	/	/
600	0.05	/	0.07	/	/	/
700	0.08	0.13	0.08	0.13	/	/
800	0.10	0.17	0.12	0.16	/	/
900	0.12	0.21	0.15	0.21	/	/
1000	0.17	0.24	0.19	0.25	0.11	0.03
1100	0.18	0.30	0.23	0.30	0.11	0.03
1200	0.20	0.36	0.29	0.37	0.13	0.03
1300	0.26	0.43	0.31	0.43	0.17	0.03
1400	0.31	0.50	0.39	0.51	0.20	0.03
1500	/	0.57	/	0.57	0.21	0.05
1600	/	0.63	/	0.65	0.26	0.05
1700	/	0.71	/	0.72	0.30	0.06
1800	/	0.80	/	0.81	0.30	0.06
1900	/	0.91	/	0.90	0.40	0.06
2000	/	0.99	/	1.01	0.41	0.06

HEAT STRIP ELECTRICAL

Model	Heater	Unit Supply Voltage Single Phase	Input kW 240V	Circuit 1 240V		Circuit 2 240V		Single Circuit 240V	
				Ampacity	Breaker	Ampacity	Breaker	Ampacity	Breaker
TPRG24	5kW	240	5	29.5	30	-	-	43.4	45
		208	3.8	26.1	30	-	-	40.0	45
	7.5kW	240	7.5	42.6	45	-	-	56.5	60
		208	5.6	37.4	40	-	-	51.3	60
	10kW	240	10	55.6	60	-	-	69.5	70
		208	7.5	48.6	50	-	-	62.5	70
	15kW	240	15	-	-	-	-	-	-
		208	11.3	-	-	-	-	-	-
20kW	240	20	-	-	-	-	-	-	
	208	15	-	-	-	-	-	-	
TPRG30	5kW	240	5	31.2	35	-	-	48.7	50
		208	3.8	27.7	30	-	-	45.3	50
	7.5kW	240	7.5	44.2	45	-	-	61.8	70
		208	5.6	39.0	40	-	-	56.9	60
	10kW	240	10	57.2	60	-	-	74.8	80
		208	7.5	50.3	60	-	-	67.8	70
	15kW	240	15	-	-	-	-	-	-
		208	11.3	-	-	-	-	-	-
20kW	240	20	-	-	-	-	-	-	
	208	15	-	-	-	-	-	-	
TPRG36	5kW	240	5	31.2	35	-	-	52.1	50
		208	3.8	27.7	30	-	-	48.6	50
	7.5kW	240	7.5	44.2	45	-	-	65.1	70
		208	5.6	39.0	40	-	-	59.9	60
	10kW	240	10	57.2	60	-	-	78.1	80
		208	7.5	50.3	60	-	-	71.2	70
	15kW	240	15	57.2	60	26.0	30	104.1	110
		208	11.3	50.3	60	22.6	25	93.7	100
20kW	240	20	-	-	-	-	-	-	
	208	15	-	-	-	-	-	-	
TPRG42	5kW	240	5	33.5	35	-	-	54.0	60
		208	3.8	30.1	35	-	-	50.6	60
	7.5kW	240	7.5	46.6	50	-	-	67.1	70
		208	5.6	41.4	45	-	-	61.9	70
	10kW	240	10	59.6	60	-	-	80.1	80
		208	7.5	52.6	60	-	-	73.1	80
	15kW	240	15	59.6	60	26.0	30	106.1	110
		208	11.3	52.6	60	22.6	25	95.7	100
20kW	240	20	59.6	60	52.1	60	132.2	150	
	208	15	52.6	60	45.1	50	118.3	125	

HEAT STRIP ELECTRICAL CONTINUED

Model	Heater	Unit Supply Voltage Single Phase	Input kW 240V	Circuit 1 240V		Circuit 2 240V		Single Circuit 240V	
				Ampacity	Breaker	Ampacity	Breaker	Ampacity	Breaker
TPRG48	5kW	240	5	33.5	35	-	-	61.2	60
		208	3.8	30.1	35	-	-	57.7	60
	7.5kW	240	7.5	46.6	50	-	-	74.2	70
		208	5.6	41.4	45	-	-	69.0	70
	10kW	240	10	59.6	60	-	-	87.2	90
		208	7.5	52.6	60	-	-	80.3	80
	15kW	240	15	59.6	60	26.0	30	113.3	110
		208	11.3	52.6	60	22.6	25	102.8	100
	20kW	240	20	59.6	60	52.1	60	139.3	150
		208	15	52.6	60	45.1	50	125.4	125
TPRG60	5kW	240	5	35.5	40	-	-	69.7	80
		208	3.8	32.1	35	-	-	66.2	80
	7.5kW	240	7.5	48.6	50	-	-	82.7	90
		208	5.6	43.4	45	-	-	77.5	80
	10kW	240	10	61.6	70	-	-	95.7	100
		208	7.5	54.6	60	-	-	88.8	90
	15kW	240	15	61.6	70	26.0	30	121.8	125
		208	11.3	54.6	60	22.6	25	111.3	110
	20kW	240	20	61.6	70	52.1	60	147.8	150
		208	15	54.6	60	45.1	50	133.9	150

HEATING PERFORMANCE EXT. RATINGS

Model	Outdoor Temp. DB/WB deg. F									
	0/0		17/15		35/33		47/43		62/56	
	Btuh	KW	Btuh	KW	Btuh	KW	Btuh	KW	Btuh	KW
TPRG24	8,800	1.69	12,300	1.73	17,500	1.79	22,000	1.83	26,100	1.88
TPRG30	11,000	1.62	15,900	1.68	20,900	2.82	27,000	1.91	31,000	2.02
TPRG36	13,000	2.29	20,000	2.42	26,600	2.72	32,400	2.93	39,500	3.18
TPRG42	17,500	3.27	23,600	3.00	33,100	3.17	39,000	3.28	49,500	3.41
TPRG48	20,700	3.40	27,000	3.46	39,500	3.66	45,000	3.79	56,800	3.96
TPRG60	23,700	4.56	33,600	4.62	47,300	4.64	56,000	4.66	71,500	4.68

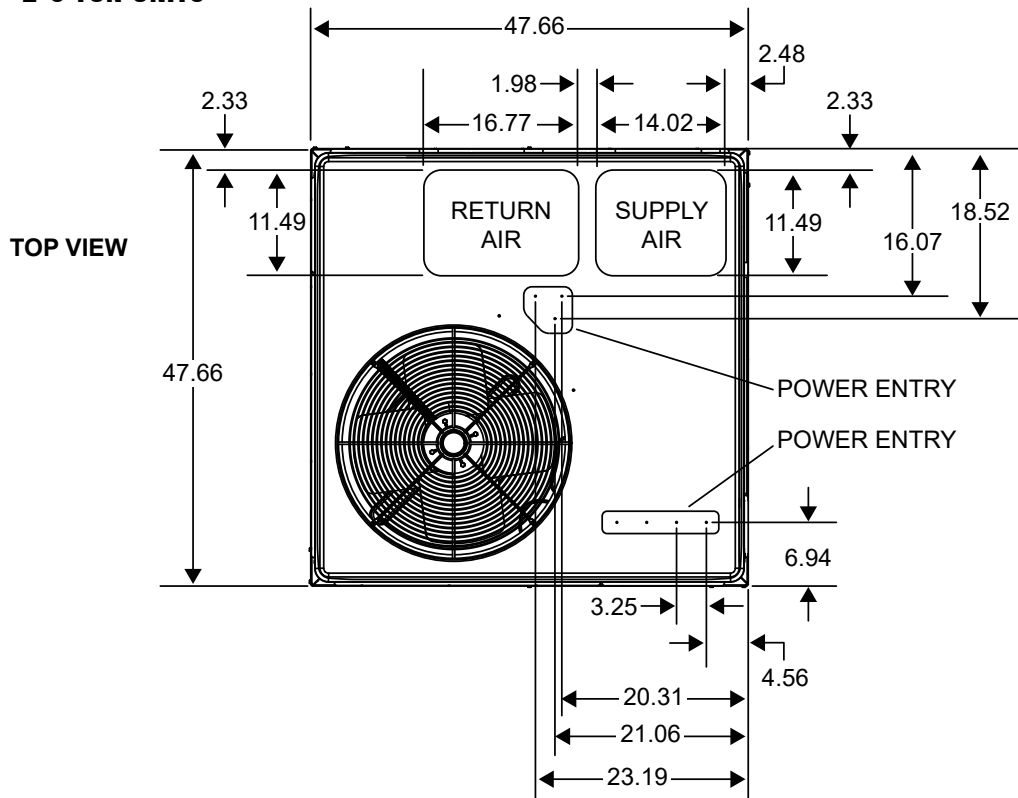
Note: Values based on 0.50" w.c. external static pressure

HEATING PERFORMANCE EXT. RATINGS

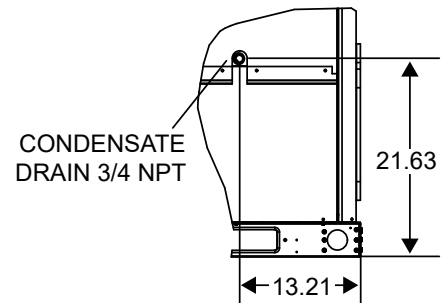
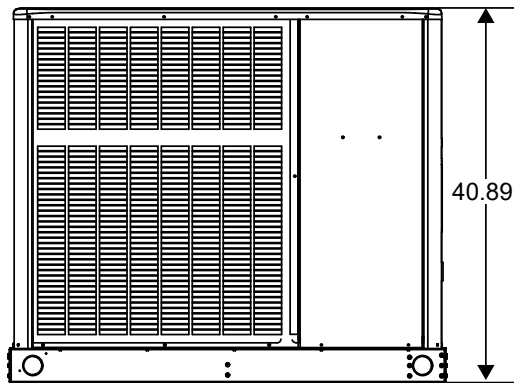
Model	Outdoor Temp. DB/WB deg. F									
	0/0		17/15		35/33		47/43		62/56	
	Btuh	KW	Btuh	KW	Btuh	KW	Btuh	KW	Btuh	KW
TPRG24	8,800	1.76	11,900	1.81	17,800	1.86	21,600	1.90	26,700	1.95
TPRG30	11,000	1.92	15,000	1.98	21,600	2.04	25,800	2.08	31,500	2.12
TPRG36	13,000	2.40	18,300	2.53	27,100	2.64	32,600	2.72	40,100	2.81
TPRG42	17,500	3.38	22,500	3.11	33,300	3.27	40,000	3.38	49,500	3.51
TPRG48	20,700	3.50	28,200	3.57	39,700	3.77	47,000	3.91	57,000	4.07
TPRG60	23,700	4.58	33,300	4.62	48,200	4.95	58,000	5.18	72,800	5.46

Note: Values based on 0.58" w.c. external static pressure

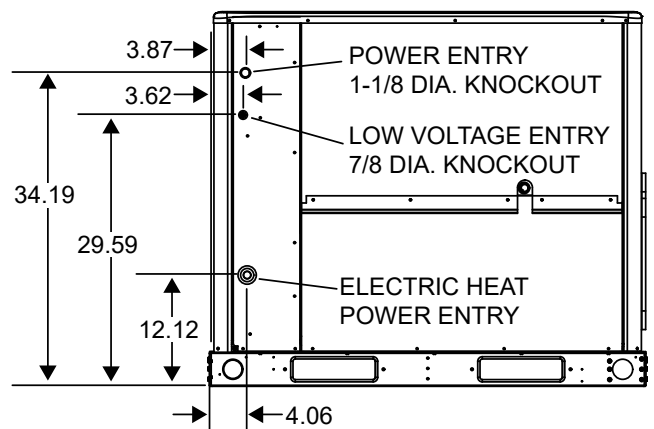
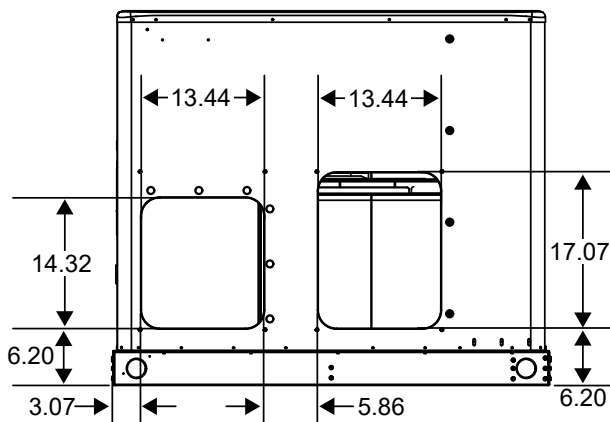
DIMENSIONS (IN.) - 2-3 TON UNITS



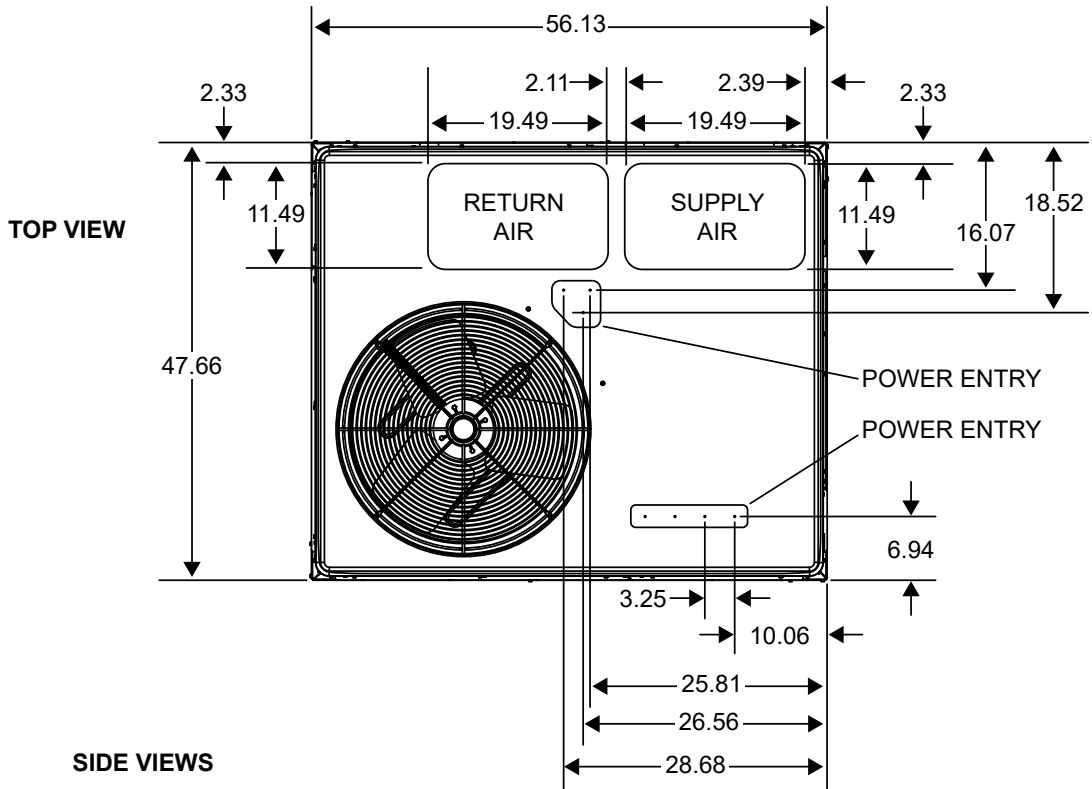
SIDE VIEWS



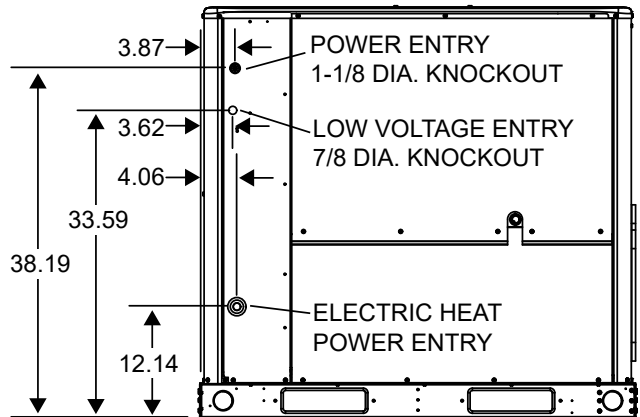
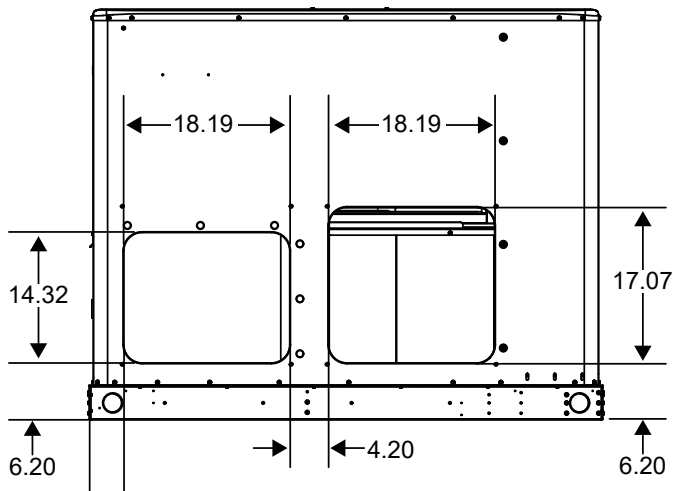
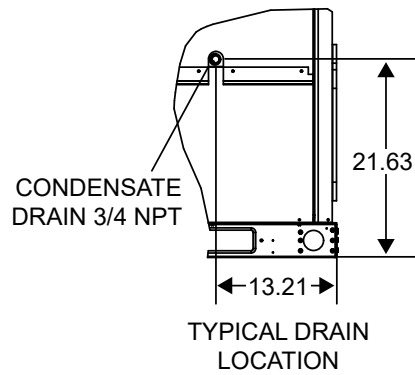
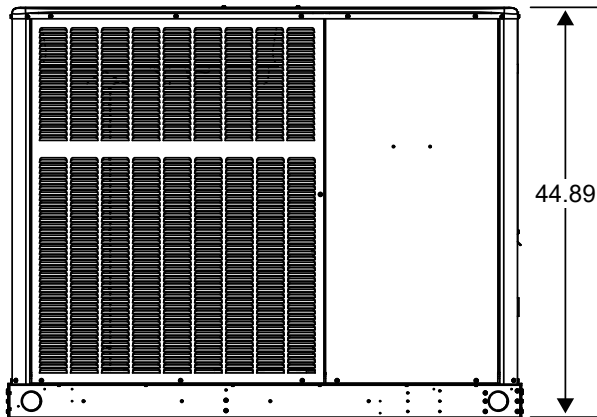
TYPICAL DRAIN LOCATION



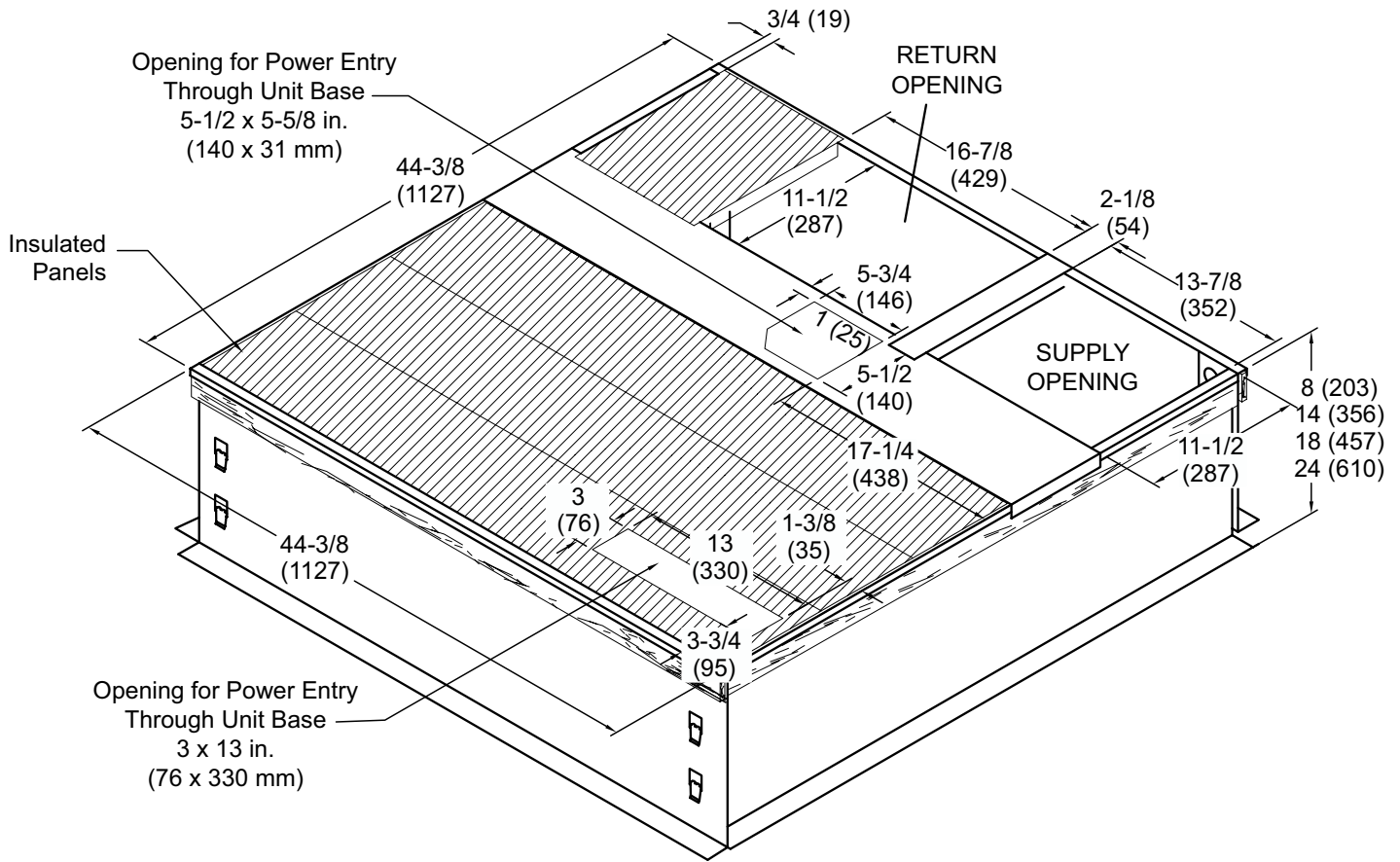
DIMENSIONS (IN.) - 3.5-5 TON UNITS



SIDE VIEWS



ROOF CURB DIMENSIONS - 2-3 TON UNITS

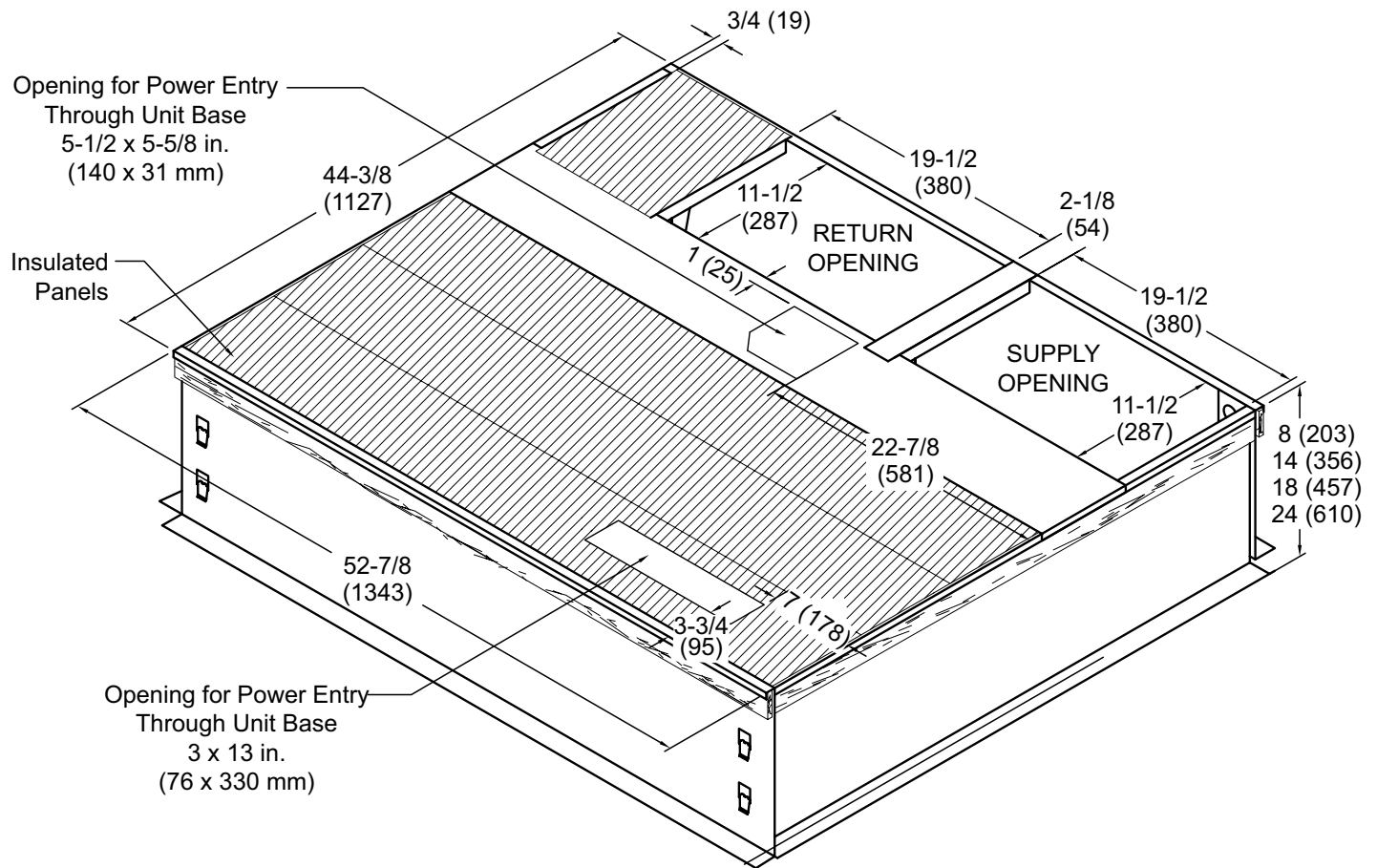


NOTE - Roof deck may be omitted within confines of curb

NOTE - All Curbs:

- IBC 2018 compliant
- CBC 2019 compliant
- Seismic rating - SDS 2.0g z/h = 1 I_p = 1.5
- Wind rating - 240 mph (Lateral), 214 mph (Uplift)
- Maximum load rating - 800 lbs.
- Tool-less filter access panels NOT for seismic-rated applications

ROOF CURB DIMENSIONS - 3.5-5 TON UNITS

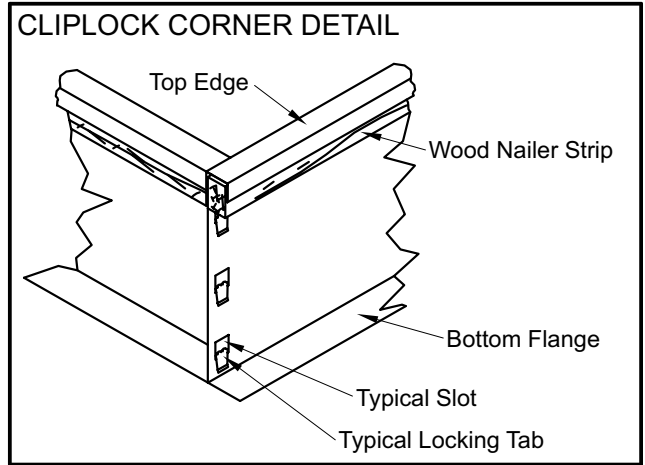
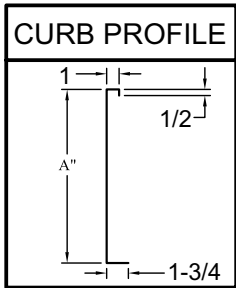


NOTE - Roof deck may be omitted within confines of curb

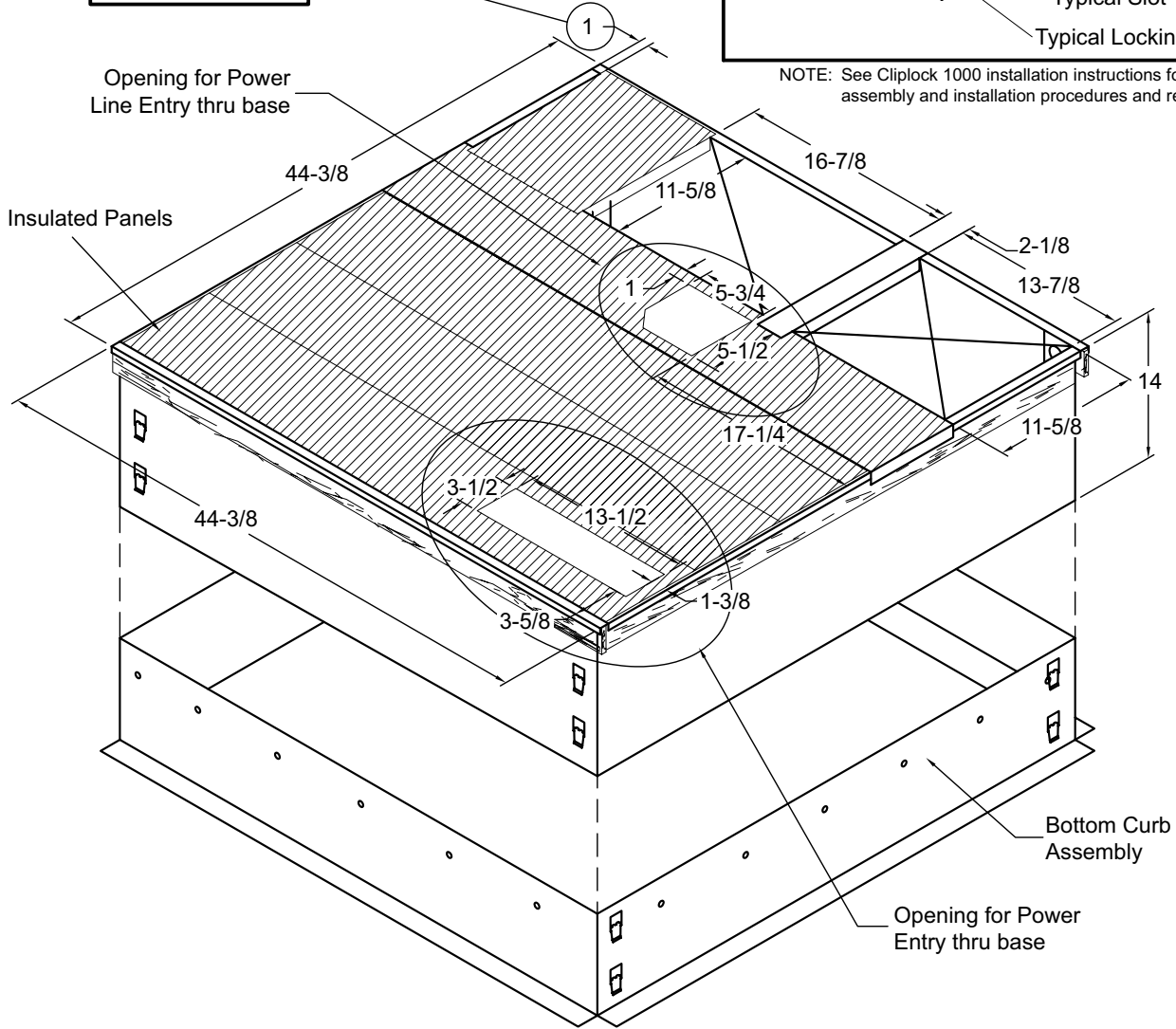
NOTE - All Curbs:

- IBC 2018 compliant
- CBC 2019 compliant
- Seismic rating - SDS 2.0g z/h=1 I_p=1.5
- Wind rating - 240 mph (Lateral), 214 mph (Uplift)
- Maximum load rating - 800 lbs.
- Tool-less fliter access panels NOT for seismic-rated applications

ADJUSTABLE CURB (KNOCK-DOWN STYLE) DIMENSIONS - 2-3 TON UNITS



NOTE: See Cliplock 1000 installation instructions for complete assembly and installation procedures and requirements.

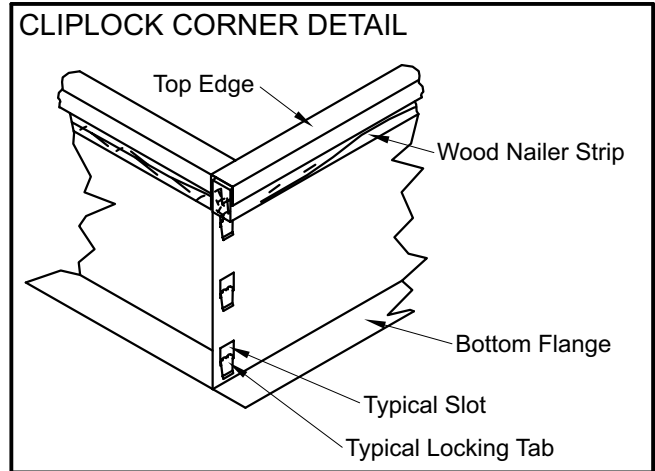
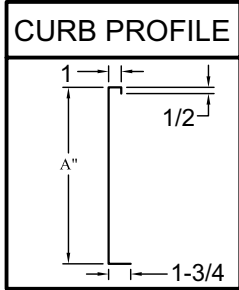


NOTE - Roof deck may be omitted within confines of curb

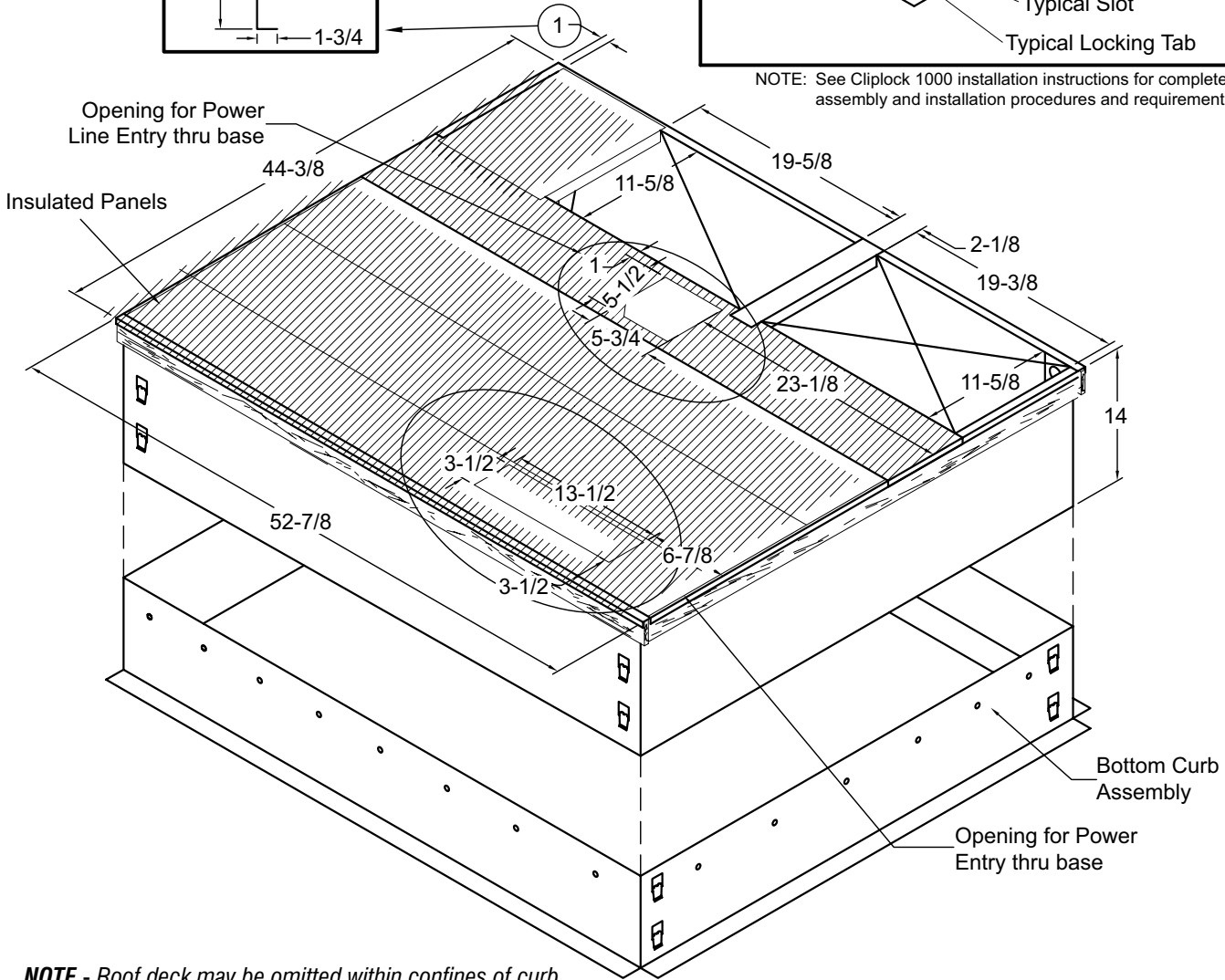
NOTE - All Curbs:

- IBC 2018 compliant
- CBC 2019 compliant
- Seismic rating - SDS 2.0g z/h=1 Ip=1.5
- Wind rating - 240 mph (Lateral), 214 mph (Uplift)
- Maximum load rating - 800 lbs.
- Tool-less filter access panels NOT for seismic-rated applications

ADJUSTABLE CURB (KNOCK-DOWN STYLE) DIMENSIONS - 3.5-5 TON UNITS



NOTE: See Cliplock 1000 installation instructions for complete assembly and installation procedures and requirements.

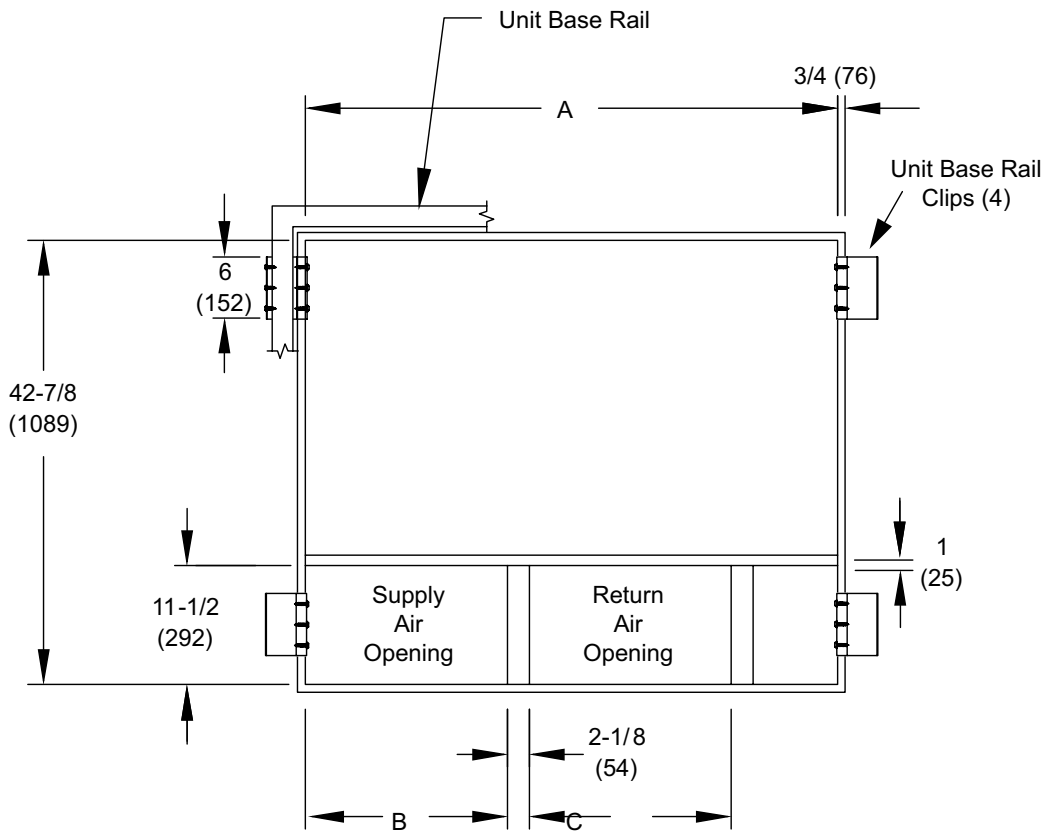
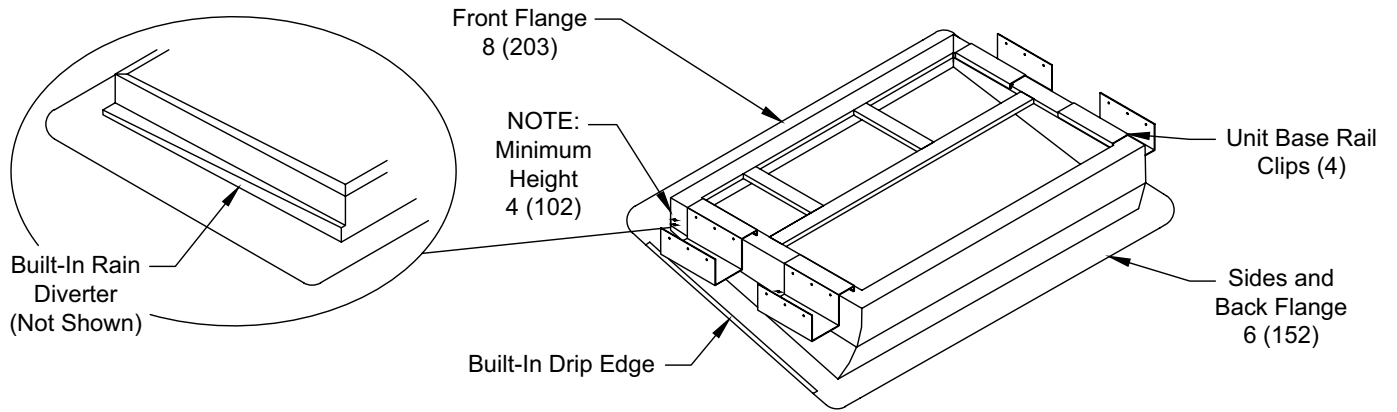


NOTE - Roof deck may be omitted within confines of curb

NOTE - All Curbs:

- IBC 2018 compliant
- CBC 2019 compliant
- Seismic rating - SDS 2.0g z/h=1 I_p=1.5
- Wind rating - 240 mph (Lateral), 214 mph (Uplift)
- Maximum load rating - 800 lbs.
- Tool-less filter access panels NOT for seismic-rated applications

ADJUSTABLE CURB (KNOCK-DOWN STYLE) DIMENSIONS



Usage	A		B		C	
	in.	mm.	in.	mm.	in.	mm.
24,30,36	42-7/8	1089	13-7/8	352	16-7/8	429
42,46,60	51-3/8	1305	19-1/2	495	19-1/2	495

ACCESSORY LIST

Description	Where Used	Kit Number	
Compressor Crankcase Heater	All	11X27	
Compressor Hard Start Kit	24,30	10J42	
	36, 42, 48, 60	88M91	
Compressor Timed-Off Control	All	47J28	
Low Ambient Kit	All	21D20	
Electric Heater 5kW - PHK05BP	All	10W47	
Electric Heater 7.5kW - PHK07BP	All	10W48	
Electric Heater 10kW - PHK10BP	All	10W49	
Electric Heater 15kW - PHK15BP	36, 42, 48, 60	10W50	
Electric Heater 20kW - PHK20BP	42, 48, 60	10W51	
Internal Filter Rack Kit	24,30,36	11U73	
	42, 48, 60	11U74	
8" Height Full Perimeter Curb	24, 30, 36	21J13	
	42, 48, 60	21J17	
14" Height Full Perimeter Curb	24, 30, 36	21J14	
	42, 48, 60	21J19	
18" Height Full Perimeter Curb	24, 30, 36	21J15	
	42, 48, 60	21J20	
24" Height Full Perimeter Curb	24, 30, 36	21J16	
	42, 48, 60	21J25	
Adjustable Pitch Roof Curb (Knock-Down Style)	24, 30, 36	21J26	
	42, 48, 60	21U04	
Adjustable Pitch Roof Curb (Welded Style)	24, 30, 36	22V54	
	42, 48, 60	22V55	
Strapping Kit - Hurricane	Slab	21J74	
	Rail	22G53	
Strapping Kit - Seismic	All	21J75	
Duct Adapter Kit - Horizontal	14 in. dia.	24, 30, 36	21J92
	14 in. dia.	42, 48, 60	21D24
	16 in. dia.	42, 48, 60	22U78
	18 in. dia.	42, 48, 60	22U79
Duct Adapter Kit - Downflow	14 in. dia.	24, 30, 36	20X82
	14 in. dia.	42, 48, 60	21D26
Bottom Power Entry Kit	All	21J78	
Base Rail Openings - Closure Kit	All	21J84	
Single Point Power - 5kW ASPWR813-1	All	13W88	
Single Point Power - 7.5kW ASPWR814-1	All	13W89	
Single Point Power - 10kW ASPWR815-1	All	13W90	
Single Point Power - 15-20kW ASPWR816-1	36, 42, 48, 60	13W91	

The logo features a large, bold, green letter 'C' on the left. To its left are three horizontal, wavy lines in orange, yellow, and blue. To the right of the 'C' is the word 'Century' in a bold, italicized, green sans-serif font. A small registered trademark symbol (®) is located at the bottom right of the word.

Century®

TPRG-R

The Century logo features a stylized 'C' with three horizontal lines extending from its top left, followed by the word 'Century' in a bold, italicized sans-serif font with a registered trademark symbol.

Due to ongoing product improvements, specifications and dimensions are subject to change and correction without notice or incurring obligations. Determining the application and suitability for use of any product is the responsibility of the installer. Additionally, the installer is responsible for verifying dimensional data on the actual product prior to beginning any installation preparations. Third party incentive and rebate programs have precise requirements as to product performance and certification. All products meet applicable regulations in effect on date of manufacture; however, certifications are not necessarily granted for the life of a product. Therefore, it is the responsibility of the applicant to determine whether a specific model qualifies for these incentive/rebate programs.

“This product complies with all California product labeling laws including, but not limited to, the Safe Drinking Water and Toxic Enforcement Act of 1986, more commonly known as Proposition 65.”